

 DATA-SHEET

E228TJ Truck Mounted Platform


Key Features

- ✓ Maximum outreach of 17m achievable with full 280kg safe working load in the cage
- ✓ Ability to narrow jack, still achieving 10m of outreach
- ✓ 7.5 ton truck so operated hire only
- ✓ Great for road closures due to narrow and one sided jacking ability.

Max. working height	22 m
Max. cage bottom height	20 m
Max. outreach*	17.6m
Rotation angle of turntable	365°
Rotation angle of cage	85°+70°
Rotation angle of cage arm	90°
Max. cage load	280 kg
Size of cage	1.6 x 0.7 m
Permissible inclination of platform	5°
Height in transport position*	3.53 m
Width in transport position	2.75 m
Overall length*	8.83 m
Wheelbase*	4.45 m
Total weight*	ca. 7500 kg

*Depends on truck chassis



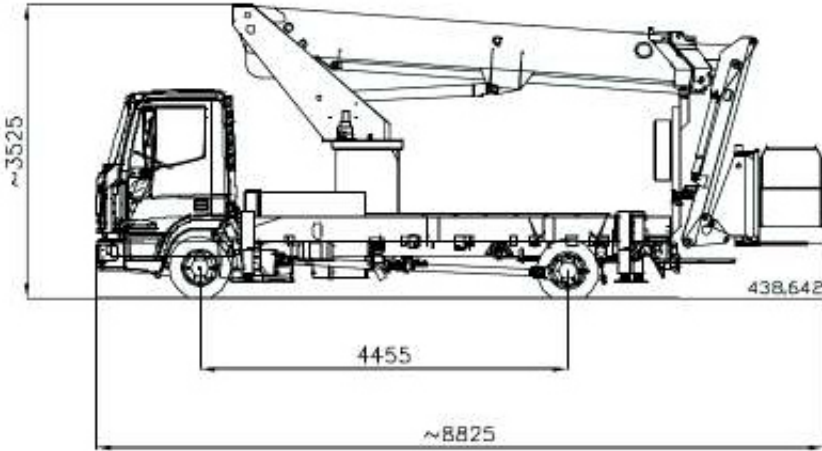
 01634 249976

 www.pgplatforms.co.uk

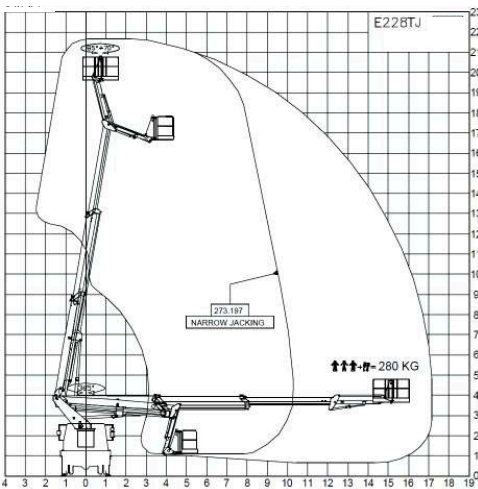
 info@pgplatforms.co.uk

PG PLATFORMS
"Cutting the cost of going up"

E228TJ Truck Mounted Platform



Working Envelope



35 YEARS OF TRADE EXPERIENCE

Based in Kent, within touching distance of London, PG Platforms offer 4 decades of expertise in all aspects of Powered access hire. With a wide range of machines; scissor lifts, self-propelled booms, tracked machines, scissor lifts, self-propelled booms, vehicle mounts and spider lifts; PG Platforms are sure to have a solution for your working at height requirements.

- ✓ SCISSOR LIFTS
- ✓ SELF PROPELLED BOOMS
- ✓ TRACKED MACHINES
- ✓ WELFARE VANS
- ✓ VAN MOUNTS
- ✓ TRUCK MOUNTS



info@pgplatforms.co.uk



www.pgplatforms.co.uk



01634 249976



Head office: The Brook, Mid Kent Business Park, Sortmill Road, Snodland, Kent ME6 5UA

All measurements and weights are approximate and refer to the standard basic execution. Technical alterations reserved.

PG PLATFORMS
"Cutting the cost of going up"