

 DATA-SHEET

Multitel MZ250


Key Features

- ✓ Impressive outreach of 14.3m for 3.5T chassis
- ✓ Compact transportation size, 2.9m high and 6.3m long
- ✓ Variable jacking, able to work narrow jacked or with one side wide jacked
- ✓ 250kg Safe working load cage, easily carries 2 men and tools
- ✓ Auto level makes this machine very easy to set up
- ✓ Auto fold/unfold function makes this a very easy machine to operate
- ✓ Up and over ability

Max. working height	25.1 m
Max. cage bottom height	23.1 m
Max. outreach*	14.3 m
Rotation angle of turntable	400°
Rotation angle of cage	2x90°
Max. cage load	250 kg
Size of cage	1.40 x 0.70 x 1.10 m
Height in transport position*	2.89 m
Width in transport position	2.1 m
Overall length*	6.29 m
Wheelbase*	3000 mm
Total weight*	ca. 3500 kg

*Depends on truck chassis



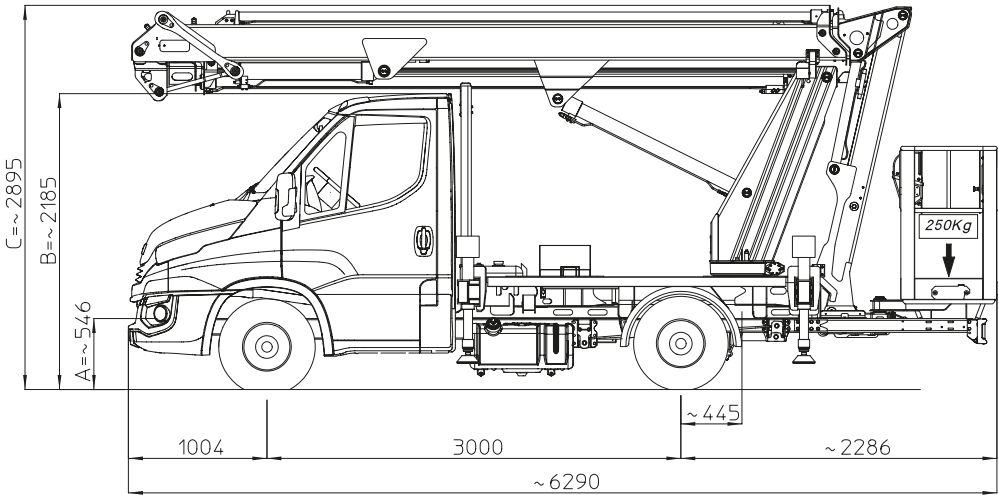
 01634 249976

 www.pgplatforms.co.uk

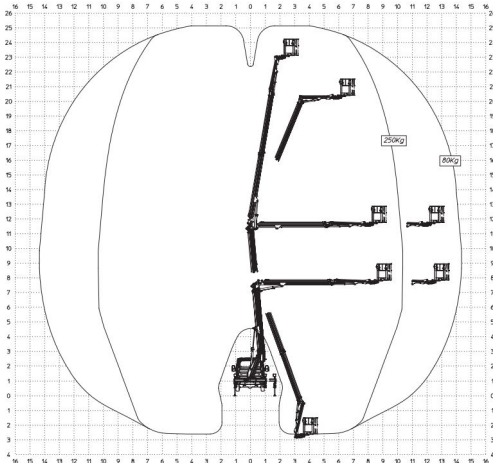
 info@pgplatforms.co.uk

PG PLATFORMS
"Cutting the cost of going up"

Multitel MZ250



Working Envelope



35 YEARS OF TRADE EXPERIENCE

Based in Kent, within touching distance of London, PG Platforms offer 4 decades of expertise in all aspects of Powered access hire. With a wide range of machines; scissor lifts, self-propelled booms, tracked machines, welfare vans, PG Platforms are sure to have a solution for your working at height requirements.

- ✓ SCISSOR LIFTS
- ✓ SELF PROPELLED BOOMS
- ✓ TRACKED MACHINES
- ✓ WELFARE VANS
- ✓ VAN MOUNTS
- ✓ TRUCK MOUNTS



 info@pgplatforms.co.uk

 www.pgplatforms.co.uk

 01634 249976

 **Head office:** The Brook, Mid Kent Business Park, Sortmill Road, Snodland, Kent ME6 5UA

All measurements and weights are approximate and refer to the standard basic execution. Technical alterations reserved.

PG PLATFORMS
"Cutting the cost of going up"