

 DATA-SHEET


Palfinger P 370 KS

Key Features

- ✓ Impressive maximum outreach of 31.5m with 100kg in the cage, 25m with 500kg in the cage
- ✓ Integrated Power Lift system making it easier to lift items in the cage with you
- ✓ Fully variable jacking making it easier to reach and fit into tight spots
- ✓ 2m wide cage to allow comfort when working
- ✓ Wheelbase shorter than 4m making it more viable to set up in tight spaces

Max. working height	37 m
Max. cage bottom height	35 m
Max. outreach*	31.5 m
Rotation angle of turntable	500°
Rotation angle of cage	2x90°
Rotation angle of cage arm	185°
Max. cage load	500 kg
Size of cage	2.00 x 0.80 x 1.10 m
Permissible inclination of platform	2°
Height in transport position*	3.85 m
Width in transport position	2.50 m
Overall length*	8.35 m
Wheelbase*	3875 mm
Total weight*	ca. 15200 kg

*Depends on truck chassis

 01634 249976

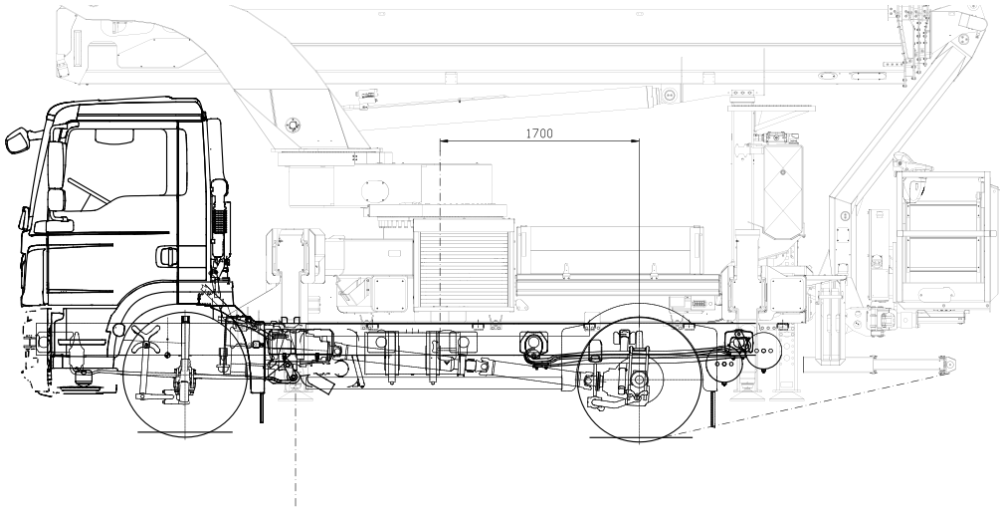
 www.pgplatforms.co.uk

 info@pgplatforms.co.uk

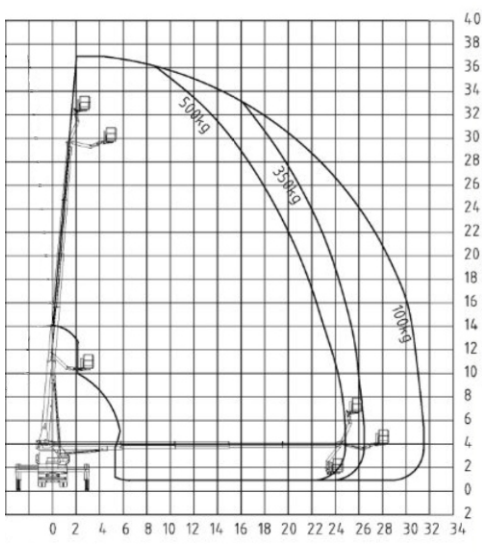
PG PLATFORMS
"Cutting the cost of going up"



Palfinger P 370 KS



Working Envelope



All measurements and weights are approximate and refer to the standard basic execution. Technical alterations reserved.

35 YEARS OF TRADE EXPERIENCE

Based in Kent, within touching distance of London, PG Platforms offer 4 decades of expertise in all aspects of Powered access hire. With a wide range of machines; scissor lifts, self-propelled booms, tracked machines, welfare vans, PG Platforms are sure to have a solution for your working at height requirements.

- ✓ SCISSOR LIFTS
- ✓ SELF PROPELLED BOOMS
- ✓ TRACKED MACHINES
- ✓ WELFARE VANS
- ✓ VAN MOUNTS
- ✓ TRUCK MOUNTS



 info@pgplatforms.co.uk

 www.pgplatforms.co.uk

 01634 249976

 **Head office:** The Brook, Mid Kent Business Park, Sortmill Road, Snodland, Kent ME6 5UA