

 DATA-SHEET

Palfinger P280B


Key Features

- ✓ Reach optimisation thanks to monitoring of stabiliser position and set-up angle inclination
- ✓ The working height can be reached even with a full basket load
- ✓ Automatic support stabilising with wheel clearance monitoring
- ✓ Three stabiliser configurations: narrow (in contour), wide (fully extended) and one-sided broad positioning of the stabilisers, as well as automatic release of the associated working range
- ✓ State-of-the-art modular basket control panel
- ✓ Stabiliser operation at the base and in the workman basket

Max. working height	27.6 m
Max. cage bottom height	25.6 m
Max. outreach*	17 m
Rotation angle of turntable	500°
Rotation angle of cage	2 x 90°
Max. cage load	250 kg
Working cage size	1.40 x 0.70 x 1.10 m
Permissible inclination of platform	5°
Height in transport position*	2.9 m
Width in transport position	2.22 m
Overall length*	7.85 m
Wheelbase	2.9 m
Total weight*	ca. 3500 kg

*Depends on truck chassis



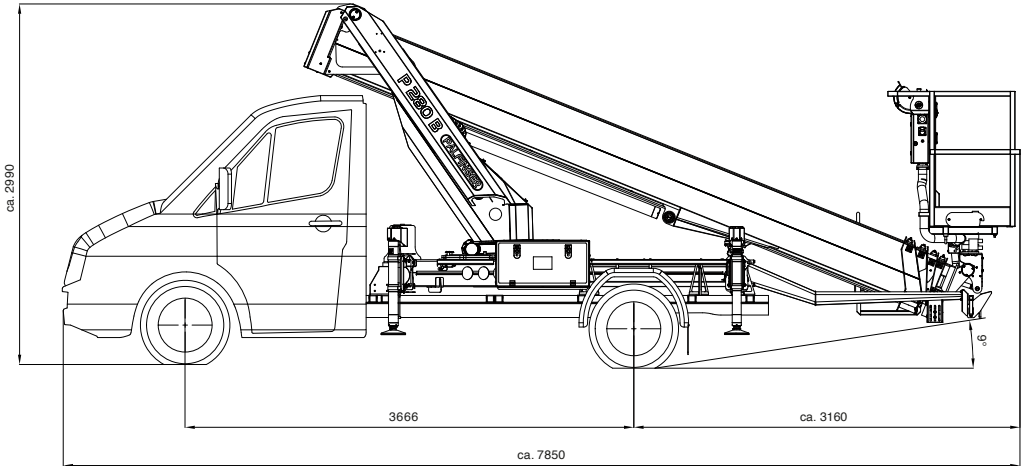
 01634 249976

 www.pgplatforms.co.uk

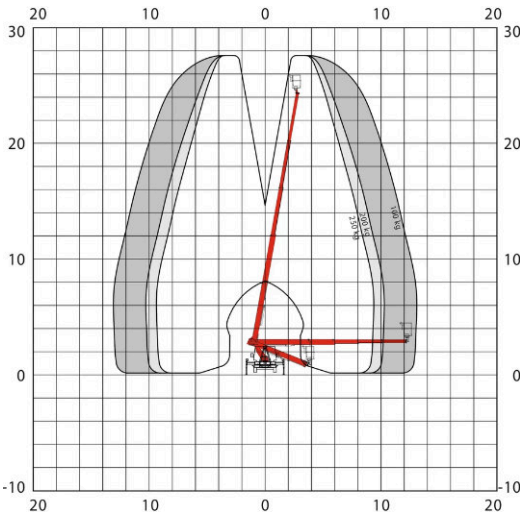
 info@pgplatforms.co.uk

PG PLATFORMS
"Cutting the cost of going up"

Palfinger P280B



Working Envelope



All measurements and weights are approximate and refer to the standard basic execution. Technical alterations reserved.

35 YEARS OF TRADE EXPERIENCE

Based in Kent, within touching distance of London, PG Platforms offer 4 decades of expertise in all aspects of Powered access hire. With a wide range of machines; scissor lifts, self-propelled booms, tracked machines, welfare vans, self-propelled booms, vehicle mounts and spider lifts; PG Platforms are sure to have a solution for your working at height requirements.


- ✓ SCISSOR LIFTS
- ✓ SELF PROPELLED BOOMS
- ✓ TRACKED MACHINES
- ✓ WELFARE VANS
- ✓ VAN MOUNTS
- ✓ TRUCK MOUNTS



 info@pgplatforms.co.uk

 www.pgplatforms.co.uk

 01634 249976

 **Head office:** The Brook, Mid Kent Business Park, Sortmill Road, Snodland, Kent ME6 5UA

PG PLATFORMS
"Cutting the cost of going up"