

DATA-SHEET

Palfinger P300

Key Features

- ✓ Impressive maximum cage load of 350kg whilst being 1.8m wide
- ✓ Compact vehicle length of less than 8.5 metres
- ✓ Fully variable jacking
- ✓ Able to function with narrow jack selection

Max. working height	30 m
Max. cage bottom height	28 m
Max. outreach*	20.9 m
Rotation angle of turntable	540°
Rotation angle of cage	2x85°
Rotation angle of cage arm	195°
Max. cage load	350 kg
Size of cage	1.8 x 0.8 x 1.1 m
Permissible inclination of platform	5°
Height in transport position*	3.5 m
Width in transport position	2.52 m
Overall length*	8.96 m
Wheelbase*	4220 mm
Total weight*	ca. 7200 kg

*Depends on truck chassis

01634 249976

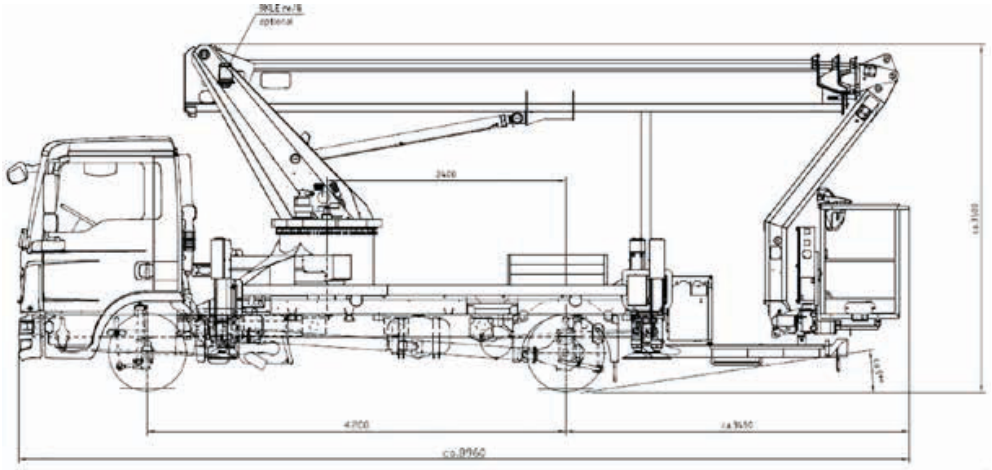
www.pgplatforms.co.uk

info@pgplatforms.co.uk

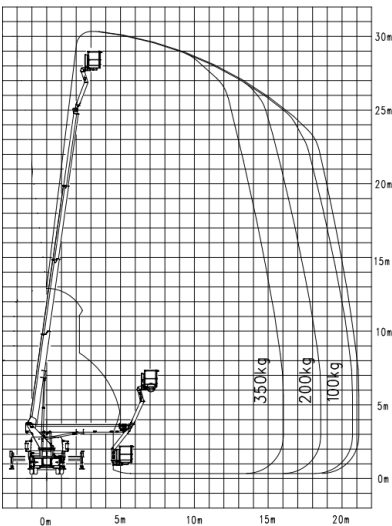


PG PLATFORMS
"Cutting the cost of going up"

Palfinger P300



Working Envelope



All measurements and weights are approximate and refer to the standard basic execution. Technical alterations reserved.

35 YEARS OF TRADE EXPERIENCE

Based in Kent, within touching distance of London, PG Platforms offer 4 decades of expertise in all aspects of Powered access hire. With a wide range of machines; scissor lifts, self-propelled booms, tracked machines, welfare vans, PG Platforms are sure to have a solution for your working at height requirements.

- ✓ SCISSOR LIFTS
- ✓ SELF PROPELLED BOOMS
- ✓ TRACKED MACHINES
- ✓ WELFARE VANS
- ✓ VAN MOUNTS
- ✓ TRUCK MOUNTS



info@pgplatforms.co.uk



www.pgplatforms.co.uk



01634 249976



Head office: The Brook, Mid Kent Business Park, Sortmill Road, Snodland, Kent ME6 5UA

PG PLATFORMS
"Cutting the cost of going up"