

 DATA-SHEET


Palfinger WT450


Key Features

- ✓ Extending cage up to 3.88m wide.
- ✓ 600kg cage capacity without extended jib, 300kg capacity with jib extended.
- ✓ Extending jib up to 8.5m
- ✓ Negative reach of up to 6m
- ✓ Fully variable jacking

Max. working height	45 m
Max. cage bottom height	43 m
Max. outreach*	28.7 m
Rotation angle of turntable	540°
Rotation angle of cage	2x80°
Rotation angle of cage arm	175°
Max. cage load	300 kg
Size of cage	3.88 x 1.05 x 1.10 m
Permissible inclination of platform	9°
Height in transport position*	3.7 m
Width in transport position	2.50 m
Overall length*	10 m
Wheelbase*	5075 mm
Total weight*	ca. 1800 kg

*Depends on truck chassis

 01634 249976

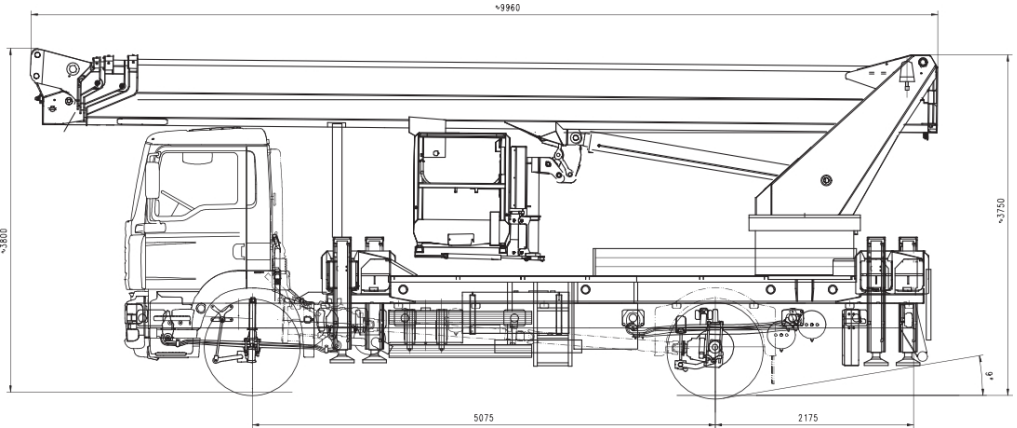
 www.pgplatforms.co.uk

 info@pgplatforms.co.uk

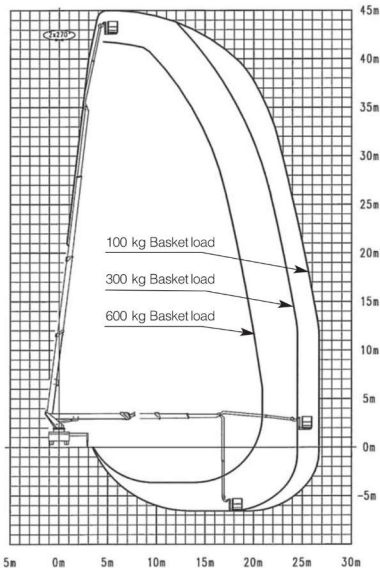
PG PLATFORMS
"Cutting the cost of going up"



Palfinger WT450



Working Envelope



All measurements and weights are approximate and refer to the standard basic execution. Technical alterations reserved.

35 YEARS OF TRADE EXPERIENCE

Based in Kent, within touching distance of London, PG Platforms offer 4 decades of expertise in all aspects of Powered access hire. With a wide range of machines; scissor lifts, self-propelled booms, vehicle mounts and spider lifts; PG Platforms are sure to have a solution for your working at height requirements.

- ✓ SCISSOR LIFTS
- ✓ SELF PROPELLED BOOMS
- ✓ TRACKED MACHINES
- ✓ WELFARE VANS
- ✓ VAN MOUNTS
- ✓ TRUCK MOUNTS



info@pgplatforms.co.uk



www.pgplatforms.co.uk



01634 249976



Head office: The Brook, Mid Kent Business Park, Sortmill Road, Snodland, Kent ME6 5UA

PG PLATFORMS
"Cutting the cost of going up"