
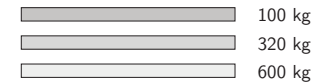
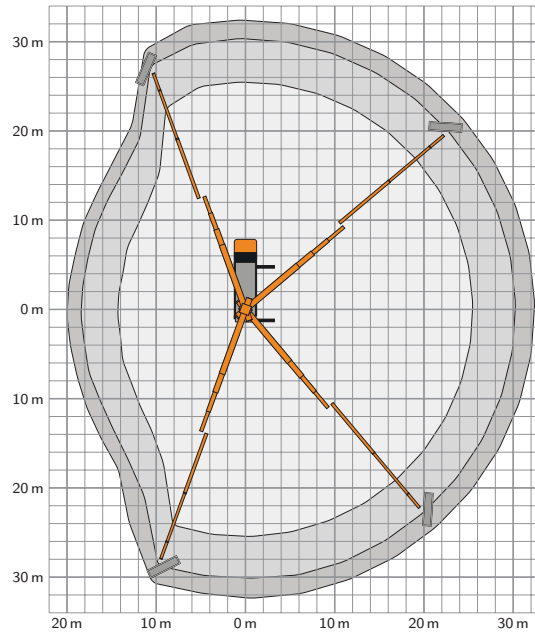
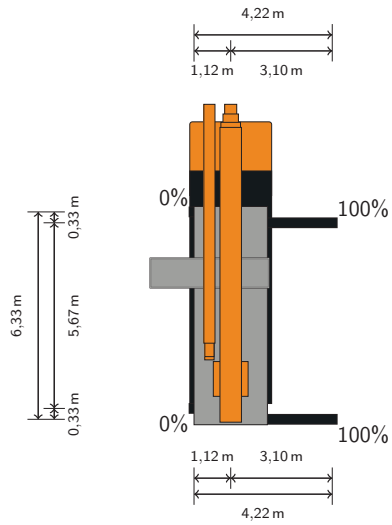
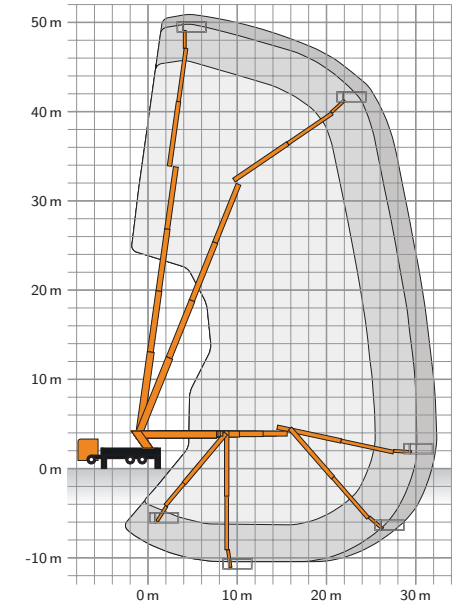
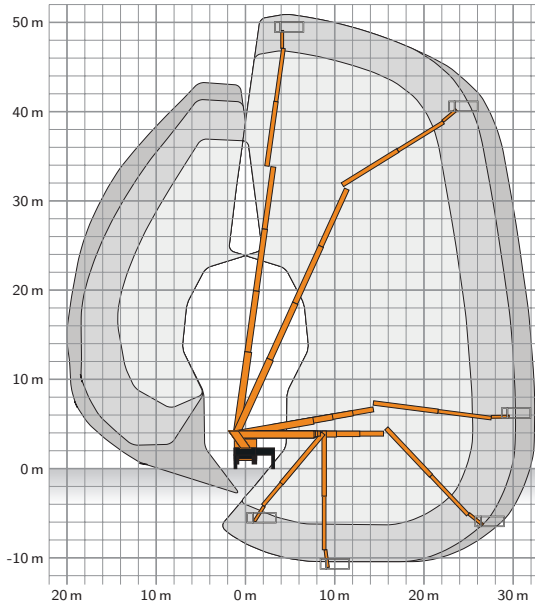
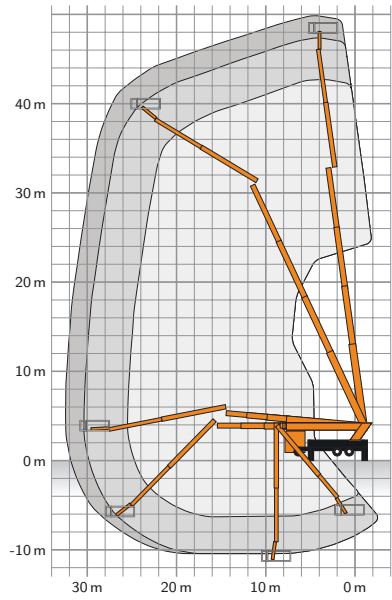


Description		Scale
Working area (theoretical)		1:600
RUTHMANNSTEIGER® T 510 flex-3A		Com. No.
Scania P 370 B 6x2*4 NA /4350 CP20L		32765
Ruthmann GmbH & Co. KG Ruthmannstr. 4 48712 Gescher Germany		Sheet
		1
		No. Sheets
Date: 23rd September 2021		2
Format: A3		FTA-jh



Description		Scale
Working area (theoretical)		1:600
RUTHMANNSTEIGER® T 510 flex-3A		Com. No.
Scania P 370 B 6x2*4 NA / 4350 CP20L		32765
Ruthmann GmbH & Co. KG		Sheet
Ruthmannstr. 4		2
48712 Gescher		No. Sheets
Germany		2
Date: 23rd September 2021	Format: A3	FTA-jh

