

 DATA-SHEET


Ruthmann Steiger® T 330

Key Features

- ✓ Rigid turret that remains within the line of the vehicle when slewing, no kick out to the side makes this a more compact machine.
- ✓ Cage that is 1.7m wide with a weight capacity of 320kg.
- ✓ Compact vehicle length of 8.79 metres
- ✓ 185 degrees Russell Jib ...
- ✓ Cage rotation of 90 degrees each side for maximum versatility
- ✓ Ability to reach 21 meters straight off to the side

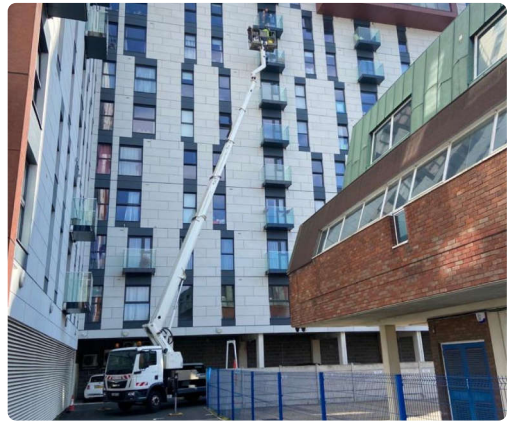
Max. working height	33 m
Max. cage bottom height	31 m
Max. outreach*	28.7 m
Rotation angle of turntable	500°
Rotation angle of cage	2x90°
Max. cage load	320 kg
Size of cage	1.7 x 10.86 m
Permissible inclination of platform	5°
Height in transport position*	3.6 m
Overall length*	8.43 m
Total weight*	ca. 7490 kg

*Depends on truck chassis

 01634 249976

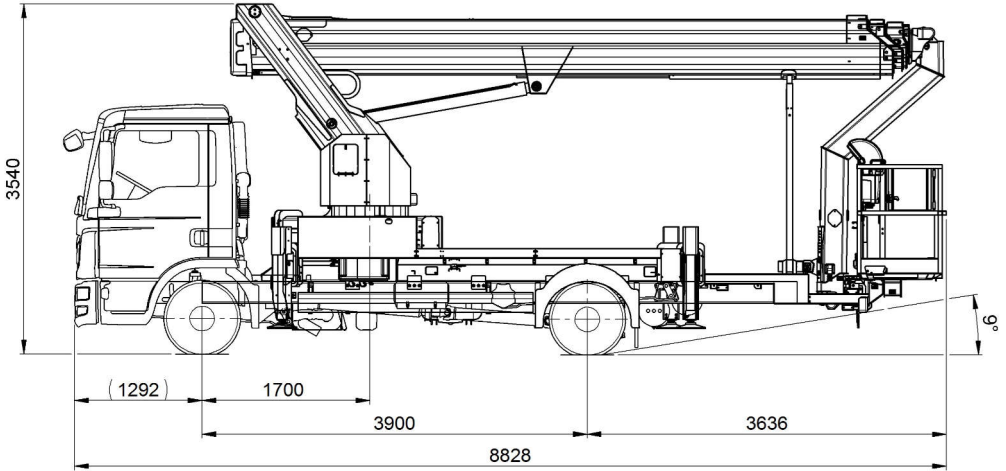
 www.pgplatforms.co.uk

 info@pgplatforms.co.uk

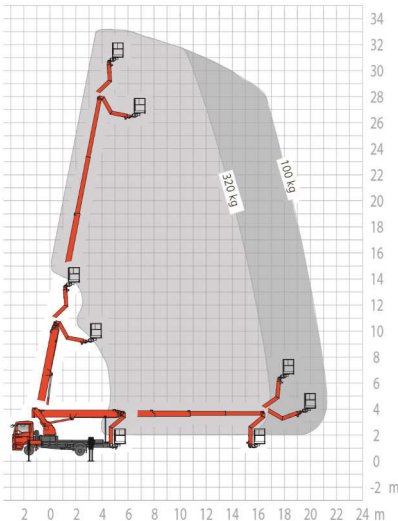


PG PLATFORMS
"Cutting the cost of going up"

Ruthmann Steiger® T 330



Working Envelope



All measurements and weights are approximate and refer to the standard basic execution. Technical alterations reserved.

35 YEARS OF TRADE EXPERIENCE

Based in Kent, within touching distance of London, PG Platforms offer 4 decades of expertise in all aspects of Powered access hire. With a wide range of machines; scissor lifts, self-propelled booms, tracked machines; scissor lifts, self-propelled booms, vehicle mounts and spider lifts; PG Platforms are sure to have a solution for your working at height requirements.

- ✓ SCISSOR LIFTS
- ✓ SELF PROPELLED BOOMS
- ✓ TRACKED MACHINES
- ✓ WELFARE VANS
- ✓ VAN MOUNTS
- ✓ TRUCK MOUNTS



info@pgplatforms.co.uk



www.pgplatforms.co.uk



01634 249976



Head office: The Brook, Mid Kent Business Park, Sortmill Road, Snodland, Kent ME6 5UA

PG PLATFORMS
"Cutting the cost of going up"